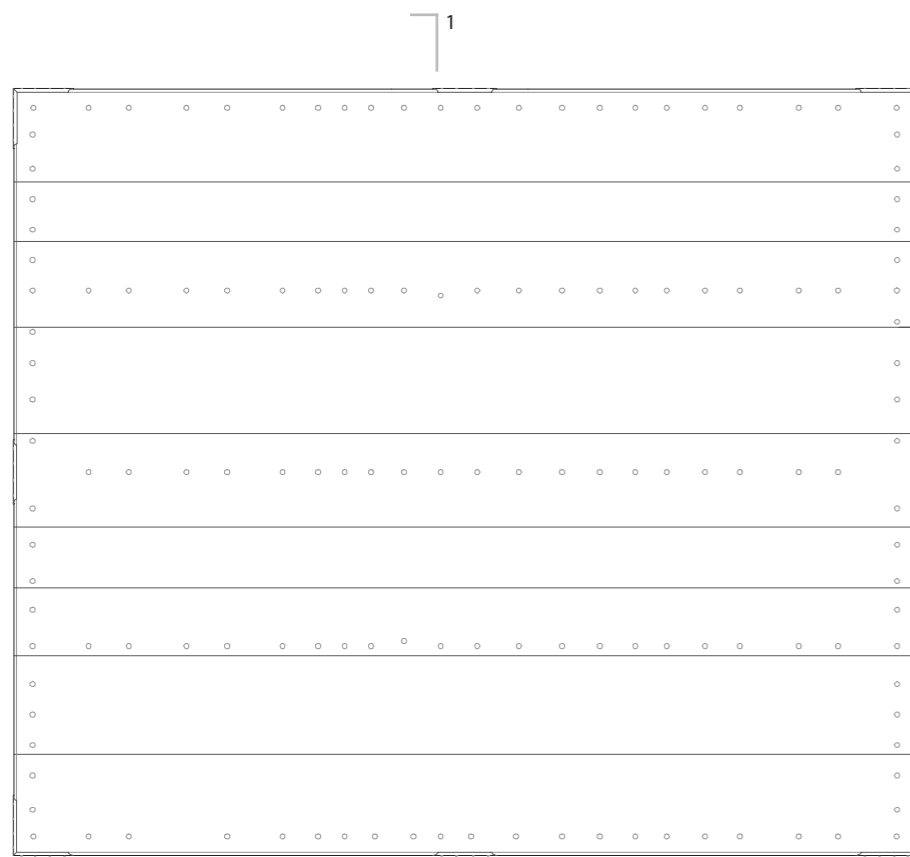


Front elevation

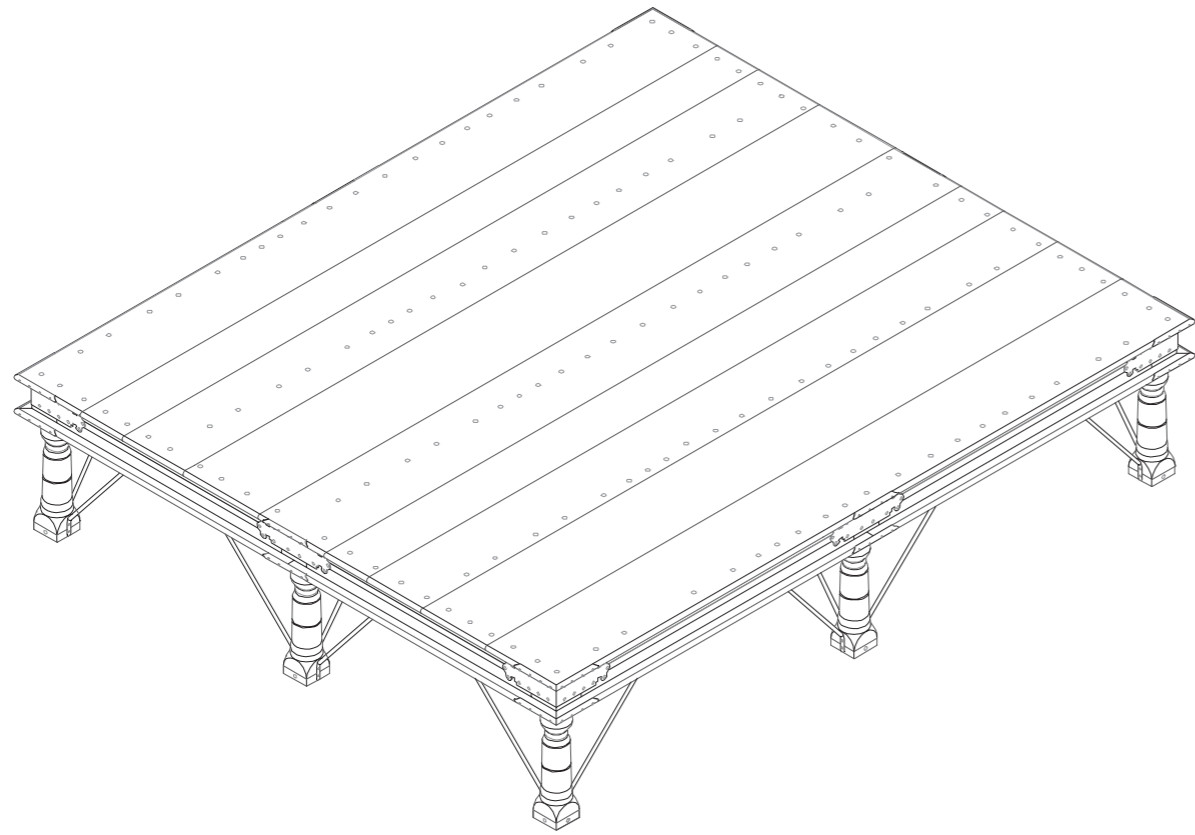
Side elevation

Section 1

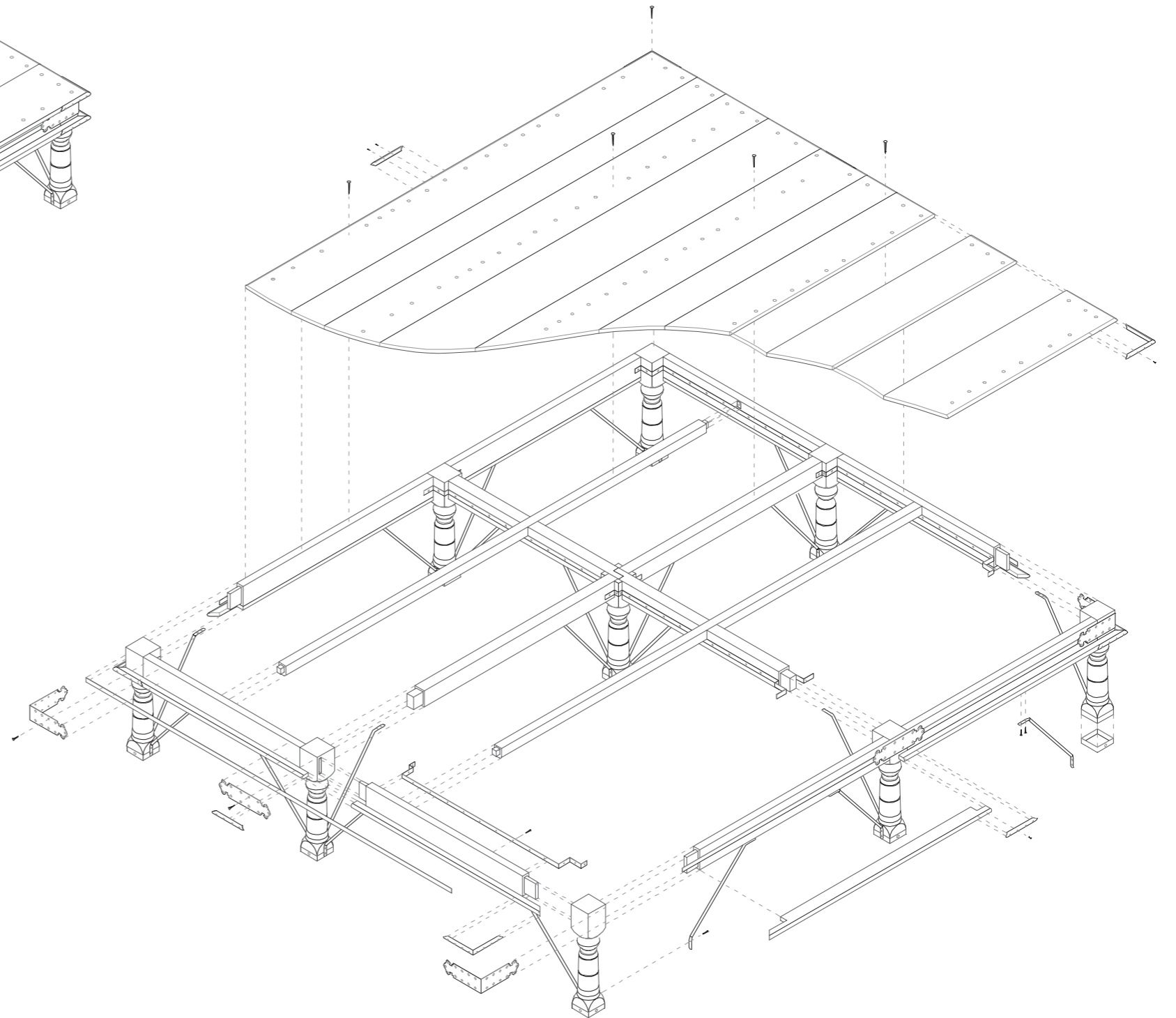


Plan (Top View)





Isometric View



Exploded Isometric View

